



## Product Information

### CCM-BOOGIE • Core™ 2 Duo **CompactPCI**® CPU

#### High Performance Dual Core Processor

Dual Screen Video • Dual Gigabit Ethernet • Dual Channel Memory • 6 x SATA RAID

Document No. 5198 • 14 February 2013

*The CCM-BOOGIE is a versatile 4HP/3U **CompactPCI**® CPU board, equipped with an Intel® Core™ 2 Duo processor at up to 2.26GHz clock, and up to 6GB dual channel capable DDR3 RAM. Four native 3Gbps RAID capable Serial ATA channels are available for mass storage I/O, and in addition another two from a secondary RAID controller. The CCM-BOOGIE has been designed especially for systems which require dual core high performance at moderate power consumption.*

The CCM-BOOGIE is provided with a high performance mobile chipset (Intel® GS45) which operates at up to 1066MHz FSB and up to 1066MHz DDR3 memory clock for optimum system throughput. The chipset is based on PCI Express® technology and has a powerful integrated graphics accelerator. The DVI-I front panel connector enables dual screen video operation. Two Gigabit Ethernet controllers are provided for high speed connectivity (one of them IEEE 802.1as TimeSync compliant).



CCM-BOOGIE with SATA SSD

The CCM-BOOGIE is equipped with a set of local expansion interface connectors, which can be optionally used to directly attach a suitable (application specific) mezzanine side board, e.g. for audio- and legacy support, PCI Express based I/O circuitry, and a secondary DVI video output. Carrier board and side card come as a readily assembled 8HP unit typically. Most mezzanine cards can accommodate in addition a 2.5-inch drive. Also as an option, a suitable rear I/O transition module is available to the CCM-BOOGIE.

As a popular add-on option, the CCM-BOOGIE can be delivered with a small mezzanine module (C42-SATA), which accommodates a 1.8-inch SATA solid state drive (SSD). Alternatively, the C40-SCFA mezzanine card is provided with an industrial grade CompactFlash memory card, and/or an even more rugged USB Silicon State Drive (SSD). In addition, the C41-CFAST is available, equipped with a CFast™ card socket. Any of the C41...C43 mezzanine modules fits into the 4HP envelope of the entire assembly.

### Benefits of the CCM-BOOGIE

- ▶ High Performance *CompactPCI*® System Slot Controller with or w/o Rear I/O
- ▶ Hybrid Systems Option 1 (Dual Backplane *CompactPCI*® & *CompactPCI*® Serial)
- ▶ Hybrid Systems Option 2 (Dual Backplane *CompactPCI*® & *CompactPCI*® Express)
- ▶ Intel® Core™ 2 Duo SV (45nm Penryn) Mobile Processor 2.26GHz 6MB L2 Cache (FSB 1066MHz)
- ▶ Scalable Series of Small Form Factor (SFF) Processors from 1.2GHz to 2.26GHz
- ▶ Cool Operation by Means of ACPI UEFI BIOS
- ▶ PCI Express Mobile Intel® 45 Express Chipset GS45 (Cantiga)
- ▶ Up to 6GB DDR3 Memory (Dual Channel Mode Capable, up to 1066MHz)
- ▶ One Memory Bank Soldered (Low Memory) for Extreme Ruggedized Systems
- ▶ Dual-Screen Graphics Controller
- ▶ Dual Gigabit Ethernet Controllers
- ▶ Four Native SATA Channels 3Gbps, Intel® Matrix Raid Storage Technology
- ▶ Two Additional SATA Channels 3Gbps, RAID capable with JMicron Drivers
- ▶ Eleven USB 2.0 channels
- ▶ SATA 1.8-Inch Solid State Drive (SSD) with C42-SATA Mezzanine Module Option (4HP Maintained)
- ▶ CFast™ Card and/or USB SSD with C41-CFAST Mezzanine Module Option (4HP Maintained)
- ▶ CompactFlash and/or USB SSD with C40-SCFA Mezzanine Module Option (4HP Maintained)
- ▶ Variety of Mezzanine Expansion Boards Available with and w/o PCIe
- ▶ TPM 1.2 Option (on Mezzanine Expansion Board or GS45 Internally)
- ▶ Rear I/O Transition Module Option
- ▶ Long Term Availability
- ▶ Coating, Sealing, Underfilling on Request
- ▶ RoHS compliant



CCM-BOOGIE



CCM-BOOGIE with CCT-RIO



CCM-BOOGIE w. C41-CFAST Mezzanine Storage Module



CCM-BOOGIE w. C43-SATA Internal Connectors Module

## Feature Summary CCM-BOOGIE

Form Factor	Single size <i>CompactPCI</i> style Eurocard (160x100mm <sup>2</sup> ), front panel width 4HP (20.3mm)
Processor	<p>Designed for Intel® Core™ 2 Duo SFF (Small Form Factor) processors (codename Penryn), 1066/800MHz FSB, maximum junction temperature 105°C, Enhanced Intel® Speedstep® Technology <sup>1</sup>, Dual Core Multiprocessing <sup>1</sup>, Intel® Virtualization Technology (VT) <sup>1</sup>, Intel® 64 Architecture</p> <ul style="list-style-type: none"> <li>▶ Core™ 2 SV • SP9300 • 2.26GHz • FSB 1066MHz • 6MB L2 Cache • 25W TDP</li> <li>▶ Core™ 2 LV • SL9400 • 1.86GHz • FSB 1066MHz • 6MB L2 Cache • 17W TDP</li> <li>▶ Core™ 2 ULV • SU9300 • 1.2GHz • FSB 800MHz • 3MB L2 Cache • 10W TDP</li> <li>▶ Celeron® M ULV • 722 • 1.2GHz • FSB 800MHz • 1MB L2 Cache • 5.5W TDP</li> </ul> <p><sup>1</sup> features not available with Celeron® M ULV 722 processor</p>
Chipset	<p>Mobile Intel® 45 (Codename Cantiga) chipset comprised of:</p> <ul style="list-style-type: none"> <li>▶ GS45 Graphics/Memory Controller Hub (GMCH) with Intel® Gen. 5.0 integrated graphics engine with 10 fully-programmable cores, 1600x1200 dual independent display, HW support for H.264, MPEG2, VC-1, improved 3D capability (DirectX 10/OpenGL 2.0 support), estimated 533-MHz core render clock (low-power mode 266MHz), option Integrated Trusted Platform Module (ITPM)</li> <li>▶ ICH9M-E Enhanced I/O Controller Hub, integrated GbE MAC, 12 x USB (2 x EHCI, 6 x UHCI cntrls.), 4 x SATA 3Gbps, Intel® Matrix Storage Technology (RAID 0, 1, 5, 10), High Definition Audio, unified SPI Flash support</li> </ul>
Memory (RAM)	<ul style="list-style-type: none"> <li>▶ Maximum theoretical memory capacity of 8GB DDR3 up to 1067MHz</li> <li>▶ 512Mb, 1Gb, 2Gb technologies for x8 and x16 devices</li> <li>▶ Dual channel symmetric – memory addresses interleaved for increased performance (module sizes must match)</li> <li>▶ Intel® Flex Memory Technology (dual channel interleaved mode with unequal memory population) - memory module sizes maybe unequal in both the channels</li> <li>▶ Dual channel asymmetric – memory module sizes may differ, including no memory in the second channel (single-channel)</li> <li>▶ Channel 0 populated as directly soldered DDR3 devices (Low Memory) up to 2GB</li> <li>▶ Channel 1 provided as SODIMM socket to accommodate DDR3 module PC3-8500 up to 4GB</li> </ul>
Non Volatile Memory (NVM)	<ul style="list-style-type: none"> <li>▶ Intel® Turbo Memory card (codename Robson) on CCI-RAP mezzanine side board optionally available</li> <li>▶ PCI Express Mini Card 1G Byte Flash</li> <li>▶ Microsoft® ReadyDrive and ReadyBoost (Windows® Vista)</li> <li>▶ Intel® Turbo Memory driver</li> </ul>
Video	<ul style="list-style-type: none"> <li>▶ Both (concurrently) analog monitor and digital flat-panel display support by DVI-I connector (front panel), up to 2048x1536 pixel 16M colours @75Hz refresh rate (analog), up to 1600 x 1200 pixel 16M colours @60Hz (digital), incorporates Panellink Digital technology (Silicon Image)</li> <li>▶ Dual screen capable 2 x 1600 x 1200 pixel (one display attached to the front panel, the other to the back panel, or both to the front panel by means of a DVI-I to DVI-D/VGA splitter cable, or secondary DVI-D connector on mezzanine side board)</li> <li>▶ Front panel option: D-Sub (female HD15) VGA connector available, replaces DVI-I connector</li> <li>▶ Rear I/O option: Analog video output configurable (BIOS) across J2/P2 CCT-RIO rear I/O transition module</li> <li>▶ Mezzanine option: Secondary DVI-D connector at mezzanine card front panel allows for dual digital flat panel operation, suitable mezzanine modules e.g. CCI-RAP, CCJ-RHYTHM, CCO-CONCERT</li> </ul>

## Feature Summary CCM-BOOGIE

USB	<ul style="list-style-type: none"> <li>▶ All ports over-current protected, data transfer rate of up to 480Mbps, conforming to USB2.0</li> <li>▶ 2 x USB type A connector (front panel)</li> <li>▶ 3 x USB ports J2/P2 Rear I/O option (CCT-RIO rear I/O transition module)</li> <li>▶ 2 x USB ports via J-EXP expansion interface option (in use by several mezzanine side boards)</li> <li>▶ 4 x USB ports via J-HSE (C40-SCFA mezzanine storage module)</li> <li>▶ Dual EHCI / six UHCI controllers provided by ICH9M-E</li> </ul>
Ethernet	<ul style="list-style-type: none"> <li>▶ Two 10/100/1000Mbps Gigabit Ethernet controllers, accessible via RJ45 jacks from the front panel</li> <li>▶ ETH1 equipped with Intel® 82567LM PHY (MAC provided by ICH9M-E), Jumbo Frame support up to 9KB</li> <li>▶ ETH2 equipped with Intel® 82574L GbE controller, connected to local PCIe lane, supports 9018-byte jumbo packets, TimeSync Offload compliant with 802.1as specification</li> <li>▶ Option ETH1 Gigabit Ethernet configurable (BIOS setup) across J2/P2 with attached CCT-RIO rear I/O transition module</li> </ul>
SATA	<ul style="list-style-type: none"> <li>▶ Total of six 3Gbps SATA channels available</li> <li>▶ Triple-channel Serial ATA 3Gbps available for J2/P2 rear I/O option (derived from ICH9)</li> <li>▶ Suitable rear I/O transition module CCT-RIO (2 x system internal SATA, 1 x eSATA for attachment of external devices)</li> <li>▶ Intel® Matrix Storage Technology MST (Raid 1, 0, Matrix Raid)</li> <li>▶ Secondary on-board PCIe to SATA controller JMB362, dual channel SATA RAID, available via J-HSE expansion connector (plus 1 SATA channel in addition from ICH9)</li> <li>▶ C41-CFAST mezzanine module available providing a CFast™ Flash card header</li> <li>▶ C42-SATA mezzanine module available providing a Micro SATA header (1.8-inch SSD)</li> <li>▶ Additional PCIe to SATA controller on mezzanine side boards e.g. CCI-RAP, CCK-MARIMBA, CCL-CAPELLA, CCO-CONCERT</li> </ul>
PATA (IDE)	<ul style="list-style-type: none"> <li>▶ Option mezzanine module attached to J-HSE expansion connector</li> <li>▶ C40-SCFA mezzanine module available with on-board SATA to PATA bridge and CompactFlash socket</li> </ul>
PCI Express	<ul style="list-style-type: none"> <li>▶ 4-Lane PCIe high-speed connector J-PCIE for CCI-RHYTHM, CCO-CONCERT and other mezzanine expansion cards (side boards)</li> <li>▶ Possible configurations 1 Link x 4 Lanes, 4 Links x 1 Lane</li> </ul>
Mezzanine Side Board I/O	<ul style="list-style-type: none"> <li>▶ J-EXP Legacy expansion interface connector LPC/USB/Audio (SIO, USB, HD Audio)</li> <li>▶ J-HSE High-speed expansion interface connector (3 x SATA, 4 x USB)</li> <li>▶ J-PCIE PCI Express 4-lane high-speed expansion connector</li> <li>▶ J-SDVO secondary digital graphics port high-speed expansion connector</li> <li>▶ Suitable mezzanine companion side boards available, e.g.: <ul style="list-style-type: none"> <li>▶ <i>CCI-RAP</i>: 2 x PCI Express® Mini Card sockets (WLAN, GSM, Wimax, Intel® Turbo Memory), options secondary DVI-D, IEEE 1394 (FireWire), USB SSD, C20-SATA mezzanine storage module (accommodates up to 2 SATA hard disk drives 2.5-inch RAID capable)</li> <li>▶ <i>CCJ-RHYTHM</i>: CompactPCI® Express system slot controller function by on board 6-port 24-lane PCIe switch, options DVI-D, IEEE 1394 (FireWire)</li> <li>▶ <i>CCK-MARIMBA</i>: PMC/XMC module carrier, option C20-SATA mezzanine storage module</li> <li>▶ <i>CCL-CAPELLA</i>: Up to 4 Gigabit Ethernet ports, options IEEE 1394 (FireWire), USB SSD, C20-SATA mezzanine module</li> <li>▶ <i>CCO-CONCERT</i>: Audio analog/digital, option secondary DVI-D</li> <li>▶ <i>C23-SATA</i>: PCIe to 2 x SATA 1 x PATA controller</li> <li>▶ <i>C40-SCFA</i>: SATA to PATA bridge &amp; CompactFlash header, option USB SSD, 4HP envelope maintained</li> <li>▶ <i>C41-CFAST</i>: CFast™ Flash card header, 4HP envelope maintained</li> <li>▶ <i>C42-SATA</i>: 1.8-Inch SATA Solid State Drive, 4HP envelope maintained</li> </ul> </li> </ul>

## Feature Summary CCM-BOOGIE

<i>CompactPCI</i> ® <i>Express</i>	<ul style="list-style-type: none"> <li>▶ CCM-BOOGIE can be configured as CompactPCI Express System Board (system slot controller) by optionally available mezzanine expansion card (side board) CCJ-RHYTHM</li> <li>▶ CPCle 4-Link configuration (4-lanes each), for up to 4 CPCle peripheral slots type 1 and/or type 2 on a passive CPCle backplane</li> <li>▶ Suitable for hybrid CompactPCI and CompactPCI Express systems/backplanes</li> </ul>
<i>Platform Management (on Request)</i>	<ul style="list-style-type: none"> <li>▶ <i>Hardware is ready for AMT 4.0 Intel® Active Management Technology (iAMT)</i></li> <li>▶ <i>ARM core based Manageability Engine (ME) in the GMCH</i></li> <li>▶ <i>Independent manageability firmware, to be stored in SPI Flash</i></li> <li>▶ <i>No iAMT BIOS support available as of current</i></li> </ul>
J2 Rear I/O	<ul style="list-style-type: none"> <li>▶ Suitable rear I/O transition module CCT-RIO available</li> <li>▶ 3 x Serial ATA (SATA), 2 x system internal SATA connectors, 1 x external eSATA connector</li> <li>▶ 1 x Gbit Ethernet (switched by BIOS between front panel I/O and rear I/O)</li> <li>▶ 3 x USB</li> <li>▶ VGA Analog Video (switched by BIOS between front panel I/O and rear I/O)</li> <li>▶ PS/2 Keyboard, Mouse</li> <li>▶ COM port (TTL Level)</li> </ul>
J1 <i>CompactPCI</i> ®	<ul style="list-style-type: none"> <li>▶ ICH9M-E integrated 32-bit PCI bridge, 33MHz 133MBps CPCI master</li> <li>▶ Additional PCI arbiter in PLD for fully figured 8-slot CompactPCI backplane</li> <li>▶ +5V V(I/O) default configuration (PCI pull-up resistors 1k - blue coding key on J1)</li> <li>▶ +3.3V V(I/O) on request (PCI pull-up resistors 2.7k - yellow coding key on J1)</li> </ul>
Secure Computing	<ul style="list-style-type: none"> <li>▶ Option Trusted Platform Module TPM 1.2 according to Trusted Computing Group specifications</li> <li>▶ Choose from either integrated solution (GS45 Intel® Trusted Execution Technology), or available as discrete controller on several mezzanine boards e.g. CCH/CCI/CCJ</li> <li>▶ Discrete crypto engine silicon brands Infineon or Atmel at users choice</li> </ul>
BIOS	<ul style="list-style-type: none"> <li>▶ Phoenix BIOS with EKF enhancements for embedded systems</li> <li>▶ SPI Flash memory 2 x 16/32/64 Mb</li> <li>▶ Updates available from website ekf.com</li> </ul>
Drivers (All Major OS)	<ul style="list-style-type: none"> <li>▶ Intel® graphics driver, Intel® embedded graphics driver</li> <li>▶ Intel® networking driver</li> <li>▶ Intel® Matrix Storage Manager software</li> <li>▶ Intel® Turbo Memory driver</li> <li>▶ JMicron SATA driver</li> </ul>
Thermal Conditions Environmental Conditions	<ul style="list-style-type: none"> <li>▶ Operating temperature: 0°C ... +70°C (CPU dependent)</li> <li>▶ Storage temperature: -40°C ... +85°C, max. gradient 5°C/min</li> <li>▶ Humidity 5% ... 95% RH non condensing</li> <li>▶ Altitude -300m ... +3000m</li> <li>▶ Shock 15g 0.33ms, 6g 6ms</li> <li>▶ Vibration 1g 5-2000Hz</li> </ul>
EC Regulations	<ul style="list-style-type: none"> <li>▶ EN55022, EN55024, EN60950-1 (UL60950-1/IEC60950-1)</li> <li>▶ 2002/95/EC (RoHS)</li> </ul>
MTBF	141 x 10 <sup>3</sup> h (16 years) @ 50° C

Feature Summary CCM-BOOGIE

Typical Power Requirements  1) Intel® SpeedStep® Frequency Modes LFM: Low Frequency Mode, HFM: High Frequency Mode  2) Add per Ethernet port 0.4/1.2A (link only/active) @1Gbps or 0.1/0.4A @ 100Mbps	Board	+3.3V +0.17V/-0.1V		+5V +0.25V/-0.15V	
		MaxPower LFM/HFM <sup>1)</sup>	WinXP Idle LFM/HFM <sup>1)</sup>	MaxPower LFM/HFM <sup>1)</sup>	WinXP Idle LFM/HFM <sup>1)</sup>
	CCM-6-BOOGIE	5.1/5.2A <sup>2)</sup>	2.1/2.1A <sup>2)</sup>	2.3/4.5A	0.3/0.5A
		S3: 200mA S4: 100mA S5: 100mA		S3: 50mA S4: 50mA S5: 30mA	
Performance Rating  Measured with PCMark2005 under Windows XP, 2 x 2GB DDR3 1066	Board	Processor		CPU/MEM Score	
	CCM-6-BOOGIE	SP9300		5650	
	CCM-4-BOOGIE	SL9400			
	CCM-2-BOOGIE	SU9300			

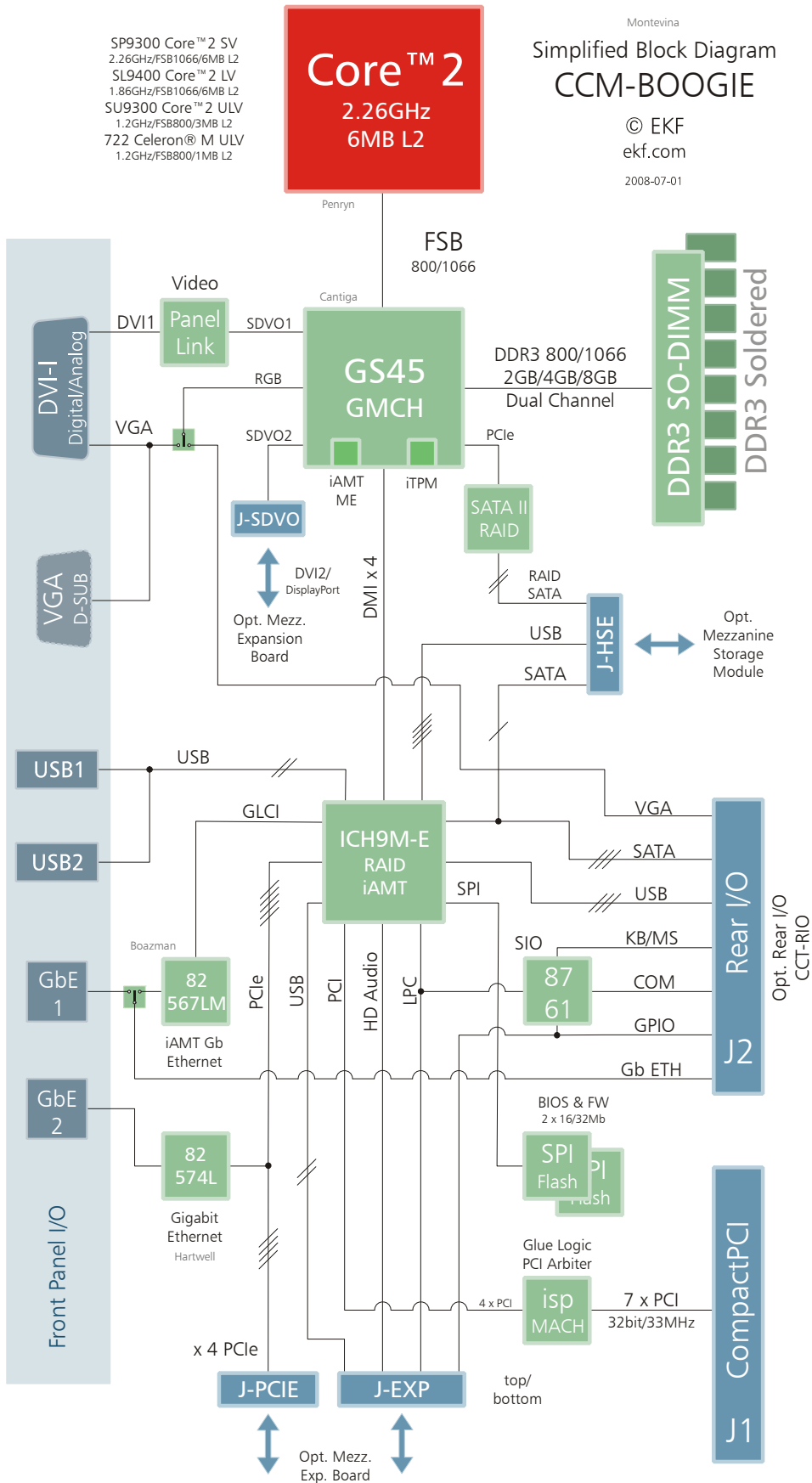
*all items are subject to changes*



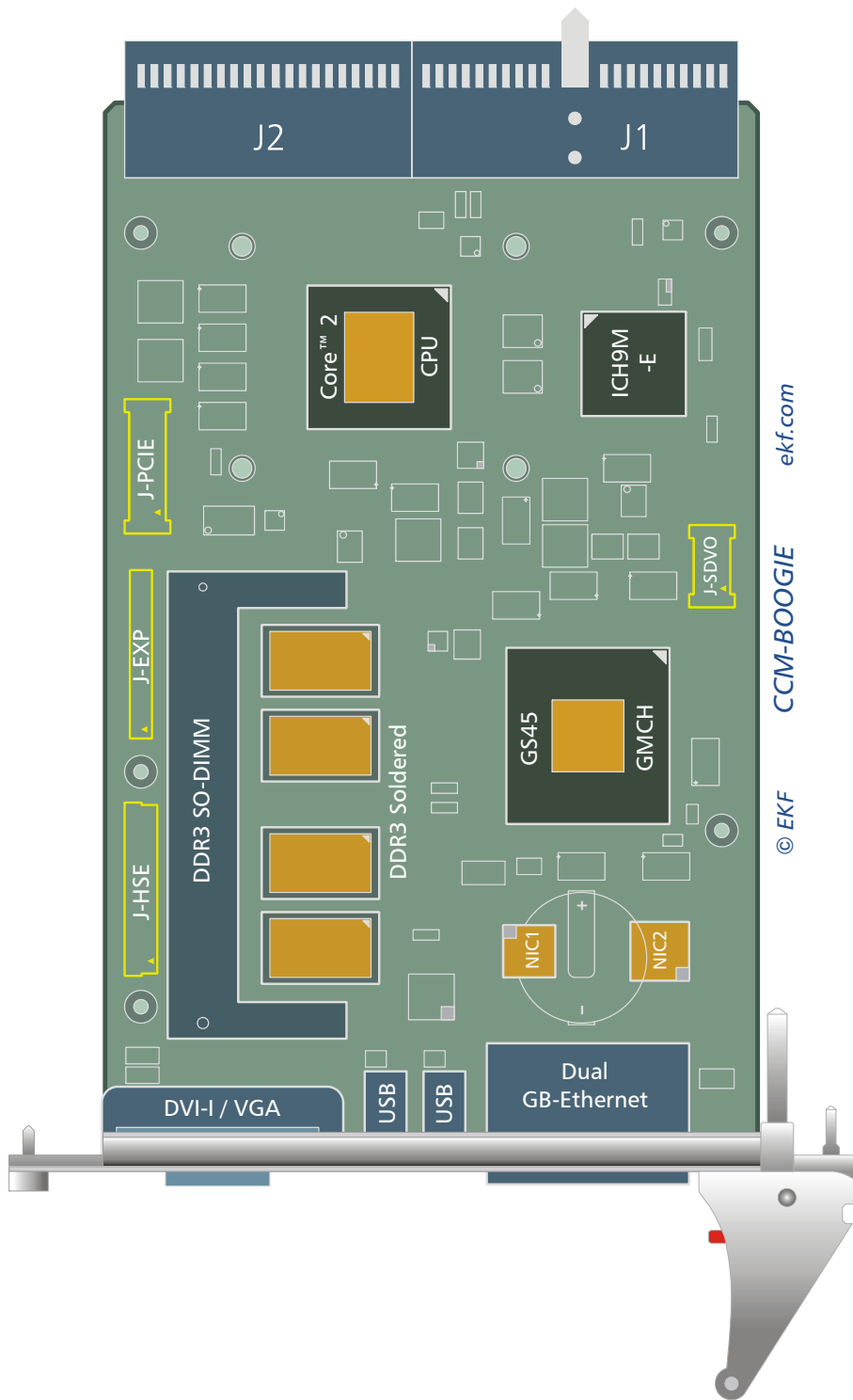
CCM-BOOGIE with C40-SCFA



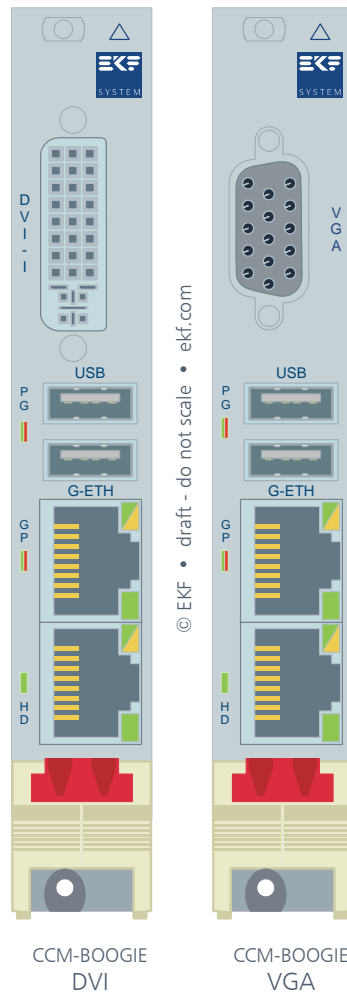
Block Diagram CCM-BOOGIE



Component Assembly CCM-BOOGIE (Top View)



### Front Panel Options CCM-BOOGIE



CCM-BOOGIE w Side Card

## Rear I/O Transition Module Option

Available as a rear I/O expansion board to the CCM-BOOGIE CPU card, the CCT-RIO is provided with several I/O port connectors, to be used either in addition to the CCM-BOOGIE front panel connectors or alternatively. Being mainly a passive rear I/O transition module, groups of signals from the CCM-BOOGIE CPU board are passed across the CompactPCI J2/P2 connector to the CCT-RIO. Some of the data lines are available locally on the CCT board for system internal wiring only, while other connectors such as VGA-Video and Gigabit Ethernet are mounted into the back panel for external use. USB and SATA (eSATA) channels are provided both on-board and externally.

Typically the CCT-RIO is equipped with a 4-HP rear panel (20.3mm width). As a custom specific option, an 8-HP panel is available with additional connectors.

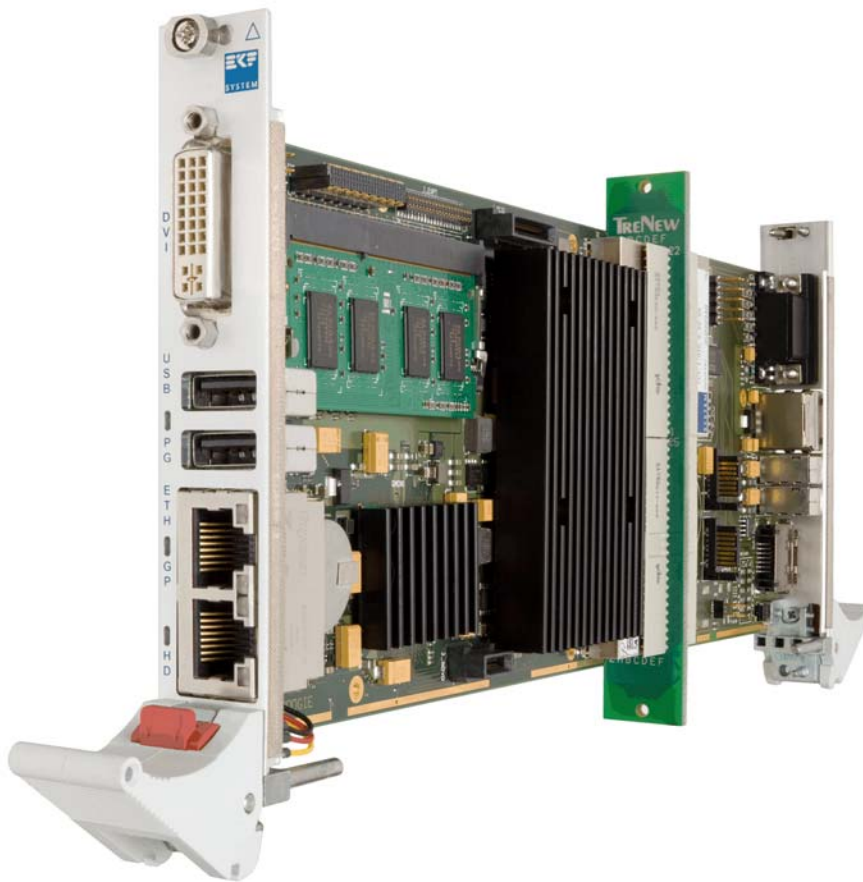
Utilization of the CCT-RIO transition module adds a level of I/O functionality that is not available with the CCM-BOOGIE CPU board alone. Further on, swapping the CPU card is simplified by means of rear I/O, which is important for efficient system maintenance (MTTR). Be sure to have ordered a CCM-BOOGIE rear I/O capable version and also the CPCI backplane suitable for rear I/O in order to use the CCT-RIO transition module.



CCT-RIO (Shown with on-Board USB Stick)

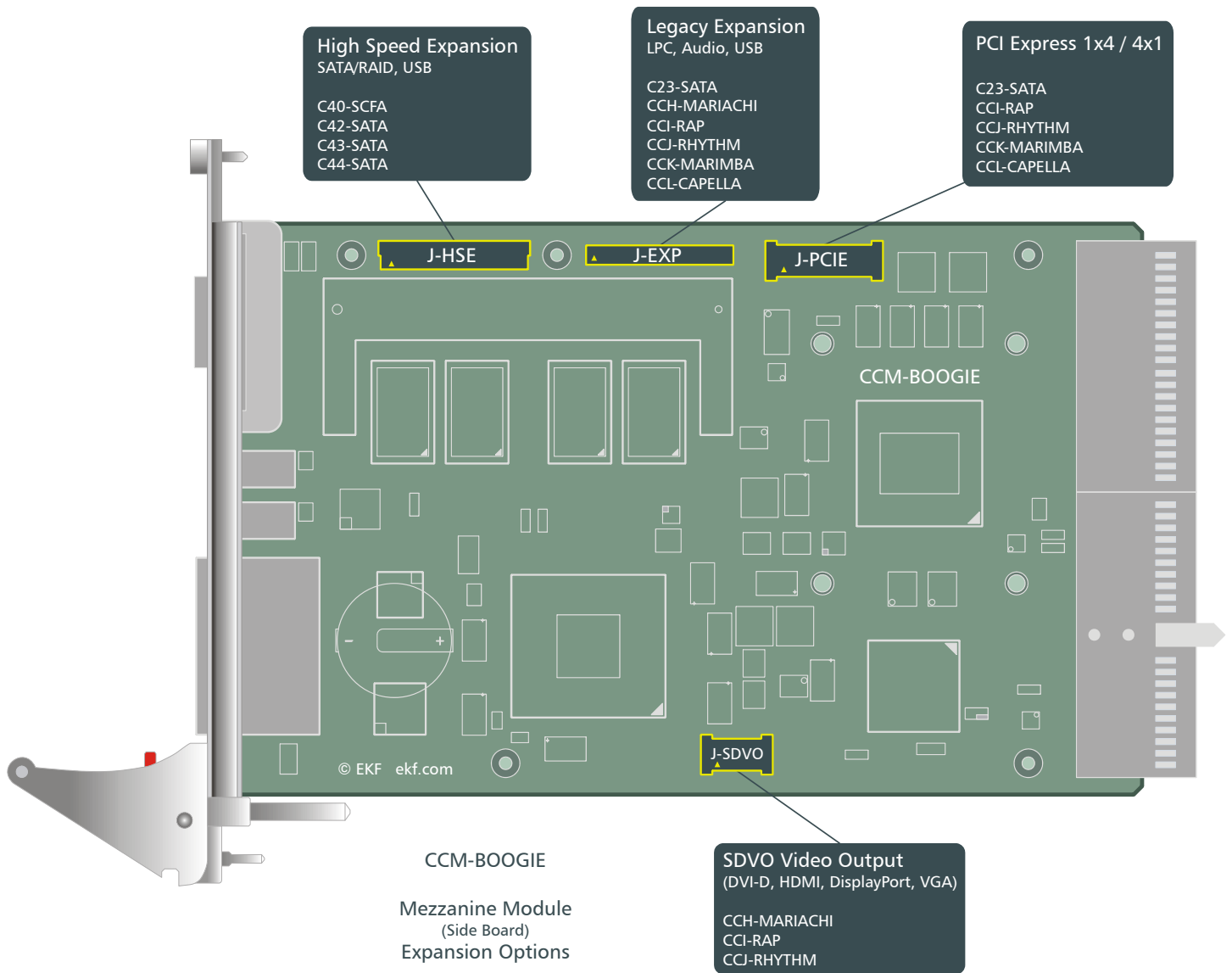


CCM-BOOGIE w. CCT-RIO



### Mezzanine Side Board Options

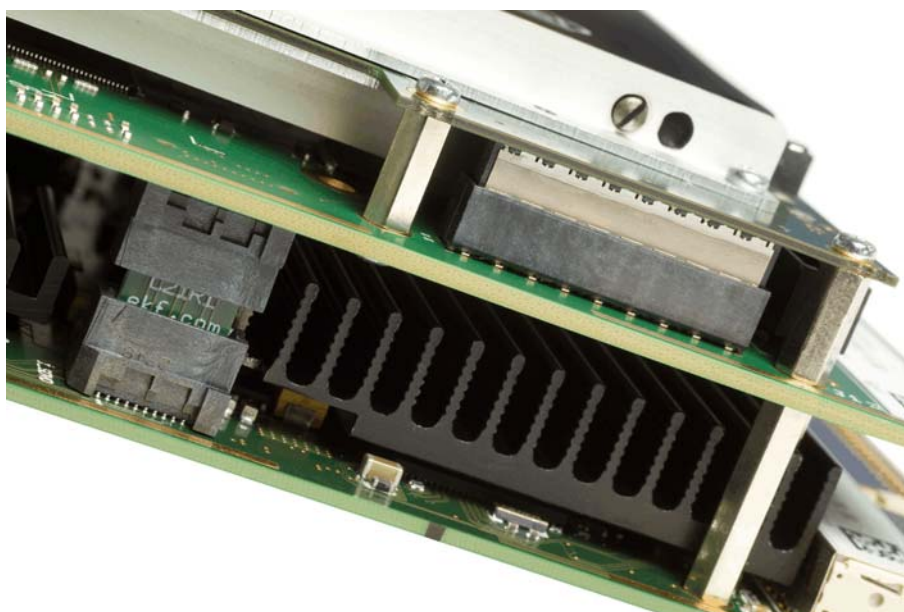
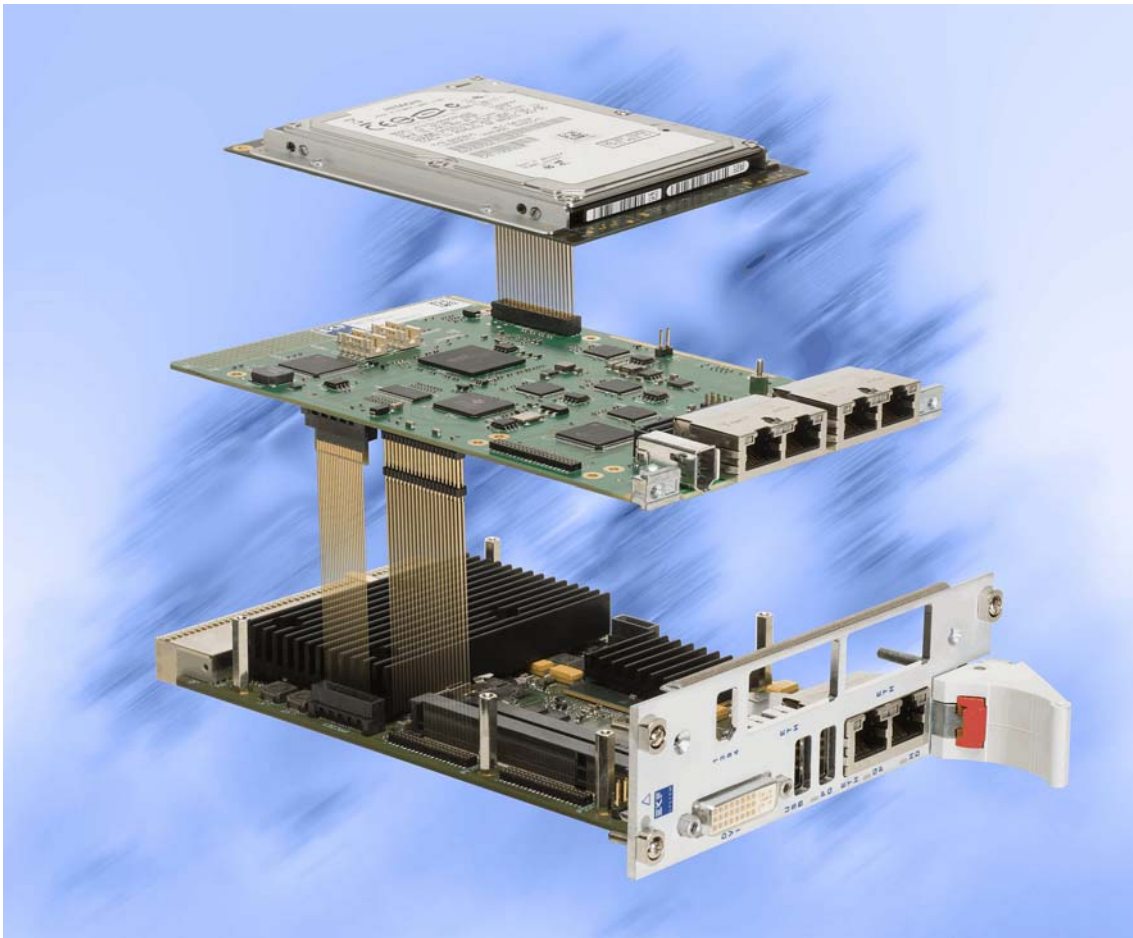
The CCM-BOOGIE is provided with several stacking connectors for attachment of a mezzanine expansion module (aka side board), suitable for a variety of readily available mezzanine cards (please refer to [www.ekf.com/c/ccpu/mezz\\_ovw.pdf](http://www.ekf.com/c/ccpu/mezz_ovw.pdf) for an overview). EKF furthermore offers custom specific development of side boards (please contact [sales@ekf.de](mailto:sales@ekf.de)).



Most mezzanine expansion modules require an assembly height of 8HP in total, together with the CPU carrier board (resulting from two cards at 4HP pitch each).

In addition, cropped mezzanine modules are available for mass storage, which maintain the 4HP envelope (see illustrations next page), for extremely compact systems. Furthermore these small size modules may be combined with the full-size expansion boards (that means an assembly comprised of 3 PCBs).

The picture below illustrates a typical mezzanine stack, comprised of the CPU carrier board (shared front panel from 4HP to 12HP, individually tailored to customers configuration), a mezzanine side board with a variety of PCIe and legacy interface functions (front panel and/or rear I/O), and a SATA storage module (either SSD or hard disk, 1.8-inch or 2.5-inch, dual or single drive, RAID option).



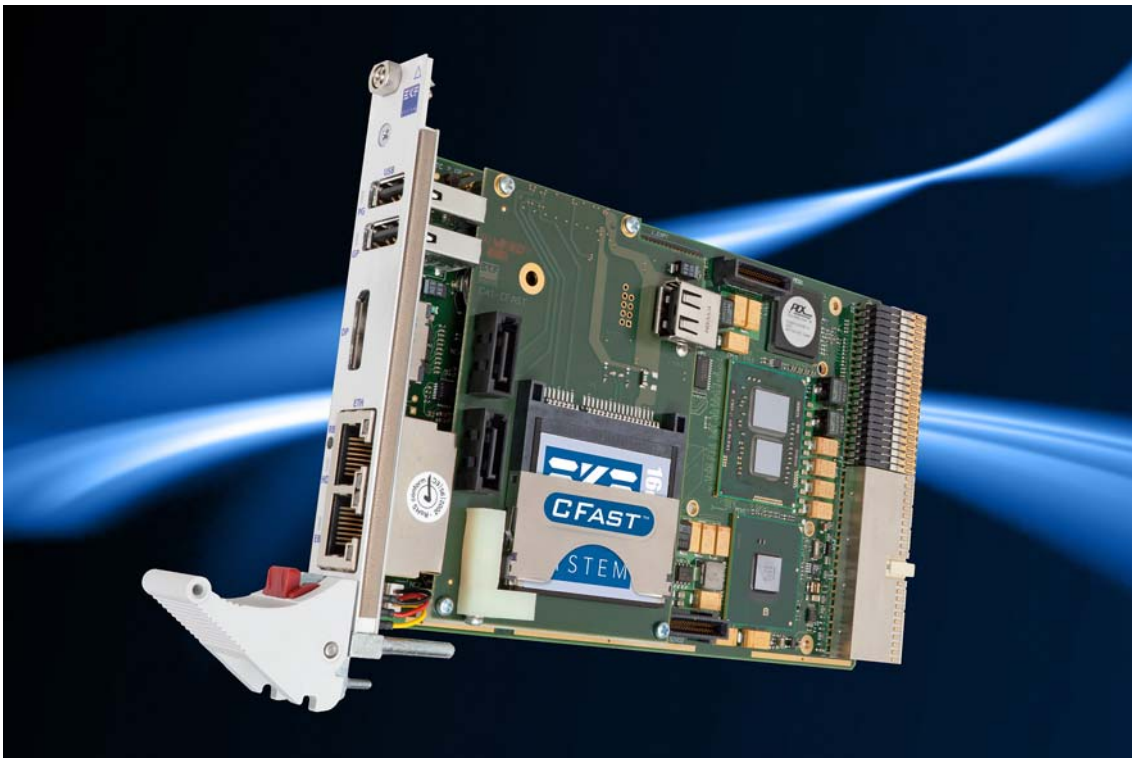


CCM-BOOGIE with C40-SCFA



C40-SCFA CompactFlash Storage Module





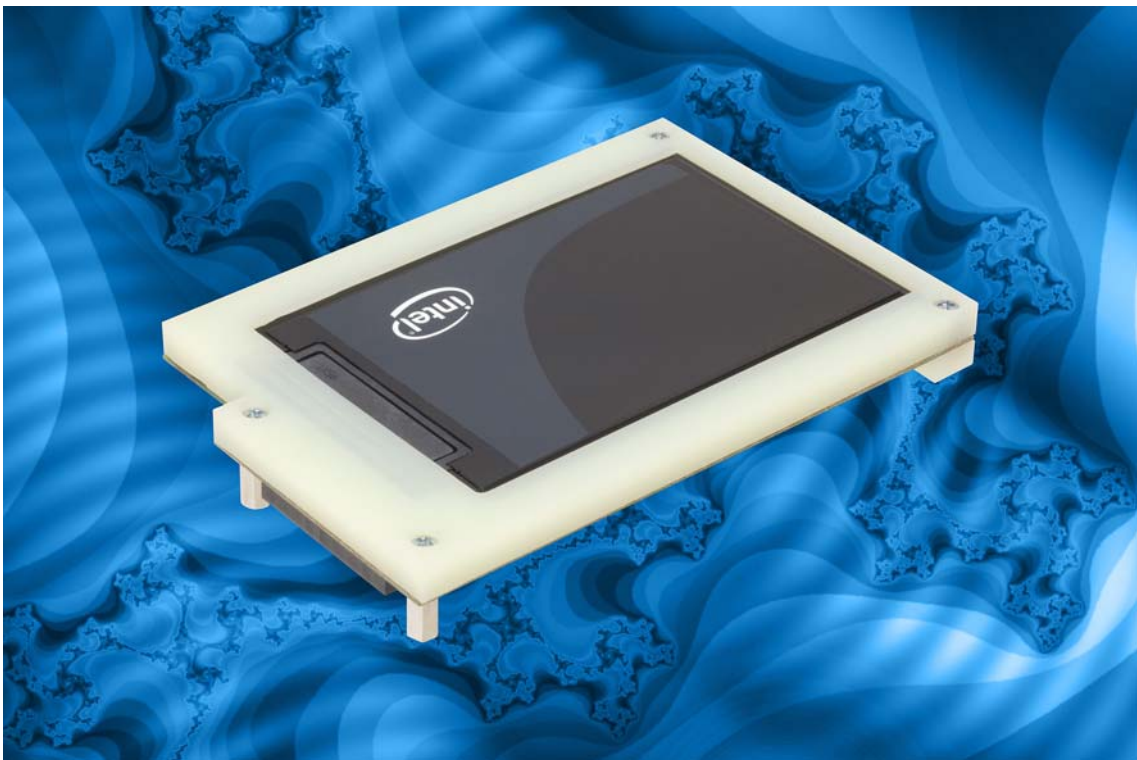
C41-CFAST Storage Module on CPU Carrier Card



C41-CFAST SATA Based Storage Module



CCM-BOOGIE with C42-SATA



C42-SATA Storage Module



CCM-BOOGIE with C43-SATA



C43-SATA I/O Module on CPU Carrier Card



C43-SATA Mezzanine Module



CCM-BOOGIE with C44-SATA



CCM-BOOGIE w. C45-SATA (Internal Drive)



CCM-BOOGIE w. C45-SATA (Removable Drive)



C47-MSATA SSD RAID Storage Module on CPU Carrier Card



C47-MSATA over CPU Carrier Card



CCI-RAP Side Board on CPU Carrier Card Assembly



CPU Carrier Card w. CCJ-RHYTHM Side Board (Picture Similar)



CCM-BOOGIE w. CCK-MARIMBA Side Board



CCK-MARIMBA over Carrier CPU





CCL-CAPELLA Side Board with CPU Carrier Card Assembly

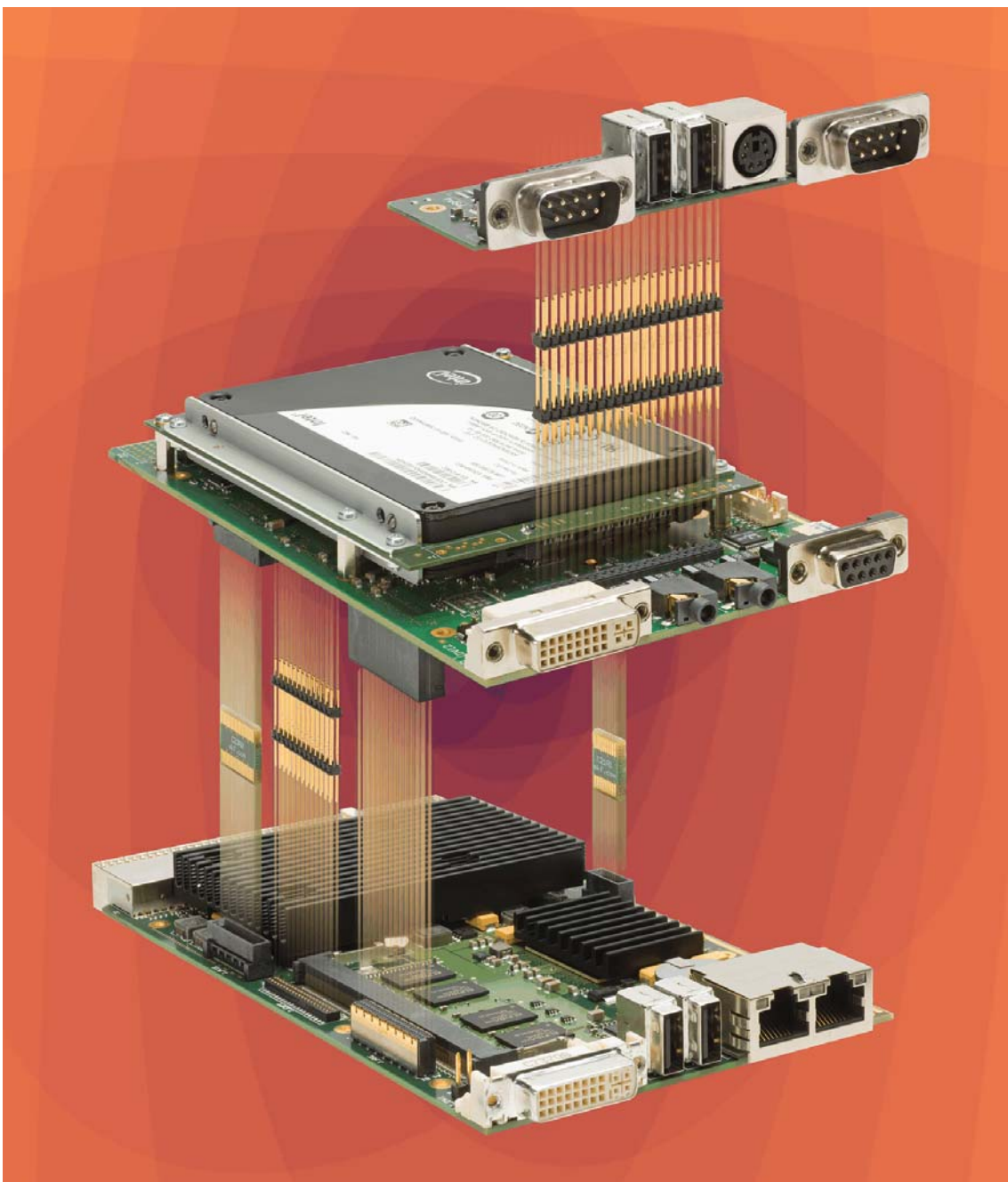


CCO-CONCERT Side Board & C20-SATA & C32-FIO with CPU Card Assembly

Links to Related Documents	
Short Description	URL (click to open document)
CCM-BOOGIE CPU Card User Guide	<a href="http://www.ekf.com/c/ccpu/ccm/ccm_e.html">www.ekf.com/c/ccpu/ccm/ccm_e.html</a> <a href="http://www.ekf.com/c/ccpu/ccm/ccm_uge.pdf">www.ekf.com/c/ccpu/ccm/ccm_uge.pdf</a>
CCT-RIO Rear I/O Transition Module Technical Information	<a href="http://www.ekf.com/c/ccpu/cct/cct_tie.pdf">www.ekf.com/c/ccpu/cct/cct_tie.pdf</a>
C23-SATA SATA RAID Controller Side Card Technical Information	<a href="http://www.ekf.com/c/ccpu/c23/c23_tie.pdf">www.ekf.com/c/ccpu/c23/c23_tie.pdf</a>
C40-SCFA CompactFlash Mezzanine Module Technical Information	<a href="http://www.ekf.com/c/ccpu/c40/c40_tie.pdf">www.ekf.com/c/ccpu/c40/c40_tie.pdf</a>
C41-CFAST CFast™ Flash Card Mezzanine Module Technical Information	<a href="http://www.ekf.com/c/ccpu/c41/c41_tie.pdf">www.ekf.com/c/ccpu/c41/c41_tie.pdf</a>
C42-SATA Micro SATA SSD Mezzanine Module Technical Information	<a href="http://www.ekf.com/c/ccpu/c42/c42_tie.pdf">www.ekf.com/c/ccpu/c42/c42_tie.pdf</a>
C43-SATA SATA/USB Mezzanine Module Technical Information	<a href="http://www.ekf.com/c/ccpu/c43/c43_tie.pdf">www.ekf.com/c/ccpu/c43/c43_tie.pdf</a>
C44-SATA SATA/USB Side Card Technical Information	<a href="http://www.ekf.com/c/ccpu/c44/c44_tie.pdf">www.ekf.com/c/ccpu/c44/c44_tie.pdf</a>
C45-SATA SATA/USB Side Card Technical Information	<a href="http://www.ekf.com/c/ccpu/c45/c45_tie.pdf">www.ekf.com/c/ccpu/c45/c45_tie.pdf</a>
C47-MSATA SSD RAID Mezzanine Module Technical Information	<a href="http://www.ekf.com/c/ccpu/c47/c47.html">www.ekf.com/c/ccpu/c47/c47.html</a> <a href="http://www.ekf.com/c/ccpu/c47/c47_ti.pdf">www.ekf.com/c/ccpu/c47/c47_ti.pdf</a>
CCI-RAP PE Mini Card Sockets & SATA Side Card Technical Information	<a href="http://www.ekf.com/c/ccpu/cci/cci_tie.pdf">www.ekf.com/c/ccpu/cci/cci_tie.pdf</a>
CCJ-RHYTHM CompactPCI® Express System Slot Controller Side Card Technical Information	<a href="http://www.ekf.com/c/ccpu/ccj/ccj_tie.pdf">www.ekf.com/c/ccpu/ccj/ccj_tie.pdf</a>
CCK-MARIMBA PMC/XMC Module Carrier Side Card Technical Information	<a href="http://www.ekf.com/c/ccpu/cck/cck_tie.pdf">www.ekf.com/c/ccpu/cck/cck_tie.pdf</a>
CCL-CAPELLA Quad Gigabit Ethernet Side Card Technical Information	<a href="http://www.ekf.com/c/ccpu/ccl/ccl_tie.pdf">www.ekf.com/c/ccpu/ccl/ccl_tie.pdf</a>
CCO-CONCERT Multifunction Side Card Technical Information	<a href="http://www.ekf.com/c/ccpu/cco/cco_tie.pdf">www.ekf.com/c/ccpu/cco/cco_tie.pdf</a>



Versatile Expansion Interfaces



CCM-BOOGIE w. CCO-CONCERT C20-SATA C32-FIO

Ordering Information CCM-BOOGIE	
Ordering No.	Short Description
CCM-21RD-BOOGIE	Core™ 2 ULV, Dual Core 1.2GHz, 3MB L2, FSB 800MHz
CCM-41RD-BOOGIE	Core™ 2 LV, Dual Core 1.86GHz, 6MB L2, FSB 1066MHz
CCM-61RD-BOOGIE	Core™ 2 SV, Dual Core 2.26GHz, 6MB L2, FSB 1066MHz
<i>CCM-11RD-BOOGIE</i>	<i>Celeron® M ULV, Single Core 1.2GHz, 1MB L2, FSB 800MHz</i>
CCI-RAP	3U/4HP Side board, 2 x PCI Express Mini Card sockets (e.g. WLAN/Wi-Fi, WiMAX, GSM/HSDPA, Turbo Memory), USB Flash Disk option, DVI-D, 2 x FireWire, on-board SATA hard disk option (1 or 2 drives), option TPM 1.2
CCJ-RHYTHM	3U/4HP Side board, System Slot side board for CompactPCI Express backplanes, 24-port PCI Express packet switch, DVI-D, 1 x USB, 2 x FireWire, 1 x RS-232 (COM), option TPM 1.2
CCK-MARIMBA	3U/4HP Side board, PMC/XMC module socket
CCL-CAPELLA	3U/4HP Side board, quad Gigabit Ethernet Controller, USB Flash Disk option, FireWire option, on-board SATA hard disk option (1 or 2 drives), option TPM 1.2
CCO-CONCERT	3U/4HP Side board, HD Audio, 2-4 x RS-232, secondary DVI-I (option), several on-board SATA drive options 1.8-inch and 2.5-inch (up to 2 drives), USB Flash Disk option, option TPM 1.2
C23-SATA	3U/4HP Side board, SATA/PATA controller, 2 x RS-232, 1 x RS-232/RS-485, USB SSD, option audio codec AC'97, option TPM module
C40-SCFA	Mezzanine module, SATA to PATA bridge, CompactFlash header, USB SSD option, fits into the 4HP envelope of the CCM-BOOGIE (J-HSE)
C41-CFAST	Mezzanine module, SATA based CFast™ Flash card header, USB SSD option, fits into the 4HP envelope of the CCM-BOOGIE (J-HSE)
C42-SATA	Mezzanine module, SATA 1.8-inch Solid State Drive, USB SSD option, fits into the 4HP envelope of the CCM-BOOGIE (J-HSE)
C43-SATA	Mezzanine module, 3 x SATA connectors (internal drives), 2 x USB connectors, USB SSD option, fits into the 4HP envelope of the CCM-BOOGIE (J-HSE)
C44-SATA	3U/4HP Side board, 2 x eSATA connectors (front panel), 3 x USB connectors (front panel), 2.5-inch SATA drive on-board (option)
C45-SATA	3U/4HP Side board, 2 x eSATA connectors (front panel), 3 x USB connectors (front panel), 1.8-inch SATA drive on-board (option), front panel removable drive (option)
C47-MSATA	Mezzanine module, dual mSATA SSD mini card sockets (RAID option), fits into the 4HP envelope of the CCM-BOOGIE (J-HSE)
CCT-RIO	Rear I/O transition module with SATA connectors

CCM-\*\*\*R\*-BOOGIE: suitable for rear I/O across J2  
 CCM-\*\*\*X\*-BOOGIE: suitable for 64-bit CPCI J2/P2 backplane  
 CCM-\*\*\*D-BOOGIE: DVI-I video connector  
 CCM-\*\*\*V-BOOGIE: VGA video connector

For custom specific configurations please mail to [sales@ekf.de](mailto:sales@ekf.de)

For current product SKU please refer also to  
[www.ekf.com/liste/liste\\_20.html/#CCM](http://www.ekf.com/liste/liste_20.html/#CCM)



Rugged Industrial Systems



Small Industrial Systems



EKF Elektronik GmbH  
Philipp-Reis-Str. 4  
59065 Hamm  
Germany



Phone +49 (0)2381/6890-0  
Fax +49 (0)2381/6890-90  
Internet [www.ekf.com](http://www.ekf.com)  
E-Mail [sales@ekf.com](mailto:sales@ekf.com)